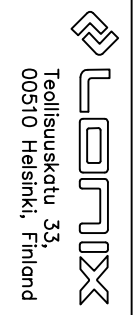


AI type	J1	11	12	13	14	15	16	17	18	19	20	21	22	23	24	25	26	27	28		
		AI1	AI2	AI1	AI2	AI1	AI2	AI1	AI2	AI1	AI2	AI1	AI2	AI1	AI2	AI1	AI2	DI1	DI2	DI3	DI4



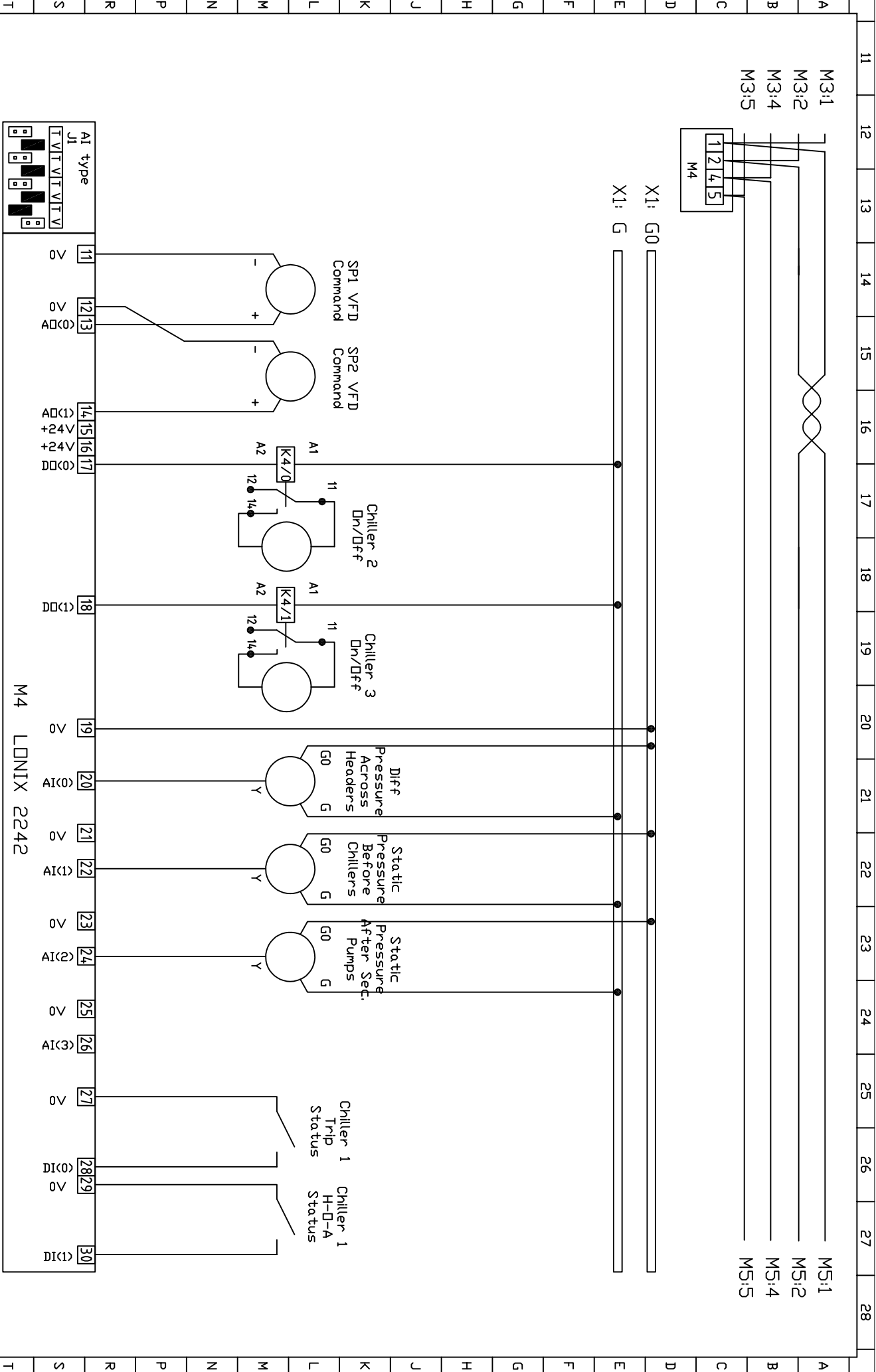
Date	13.01.10
Drawn by	EVRO
Checked by	
Approved by	

Example Applications:
Chiller System

Connections
of the Module M2

D revision	REVISION
E revision	REVISION
F revision	REVISION

A revision	REVISION
B revision	REVISION
C revision	REVISION



Teollisuuskatu 33,
00510 Helsinki, Finland

Date	13.01.10
Drawn by	EVRO
Checked by	
Approved by	

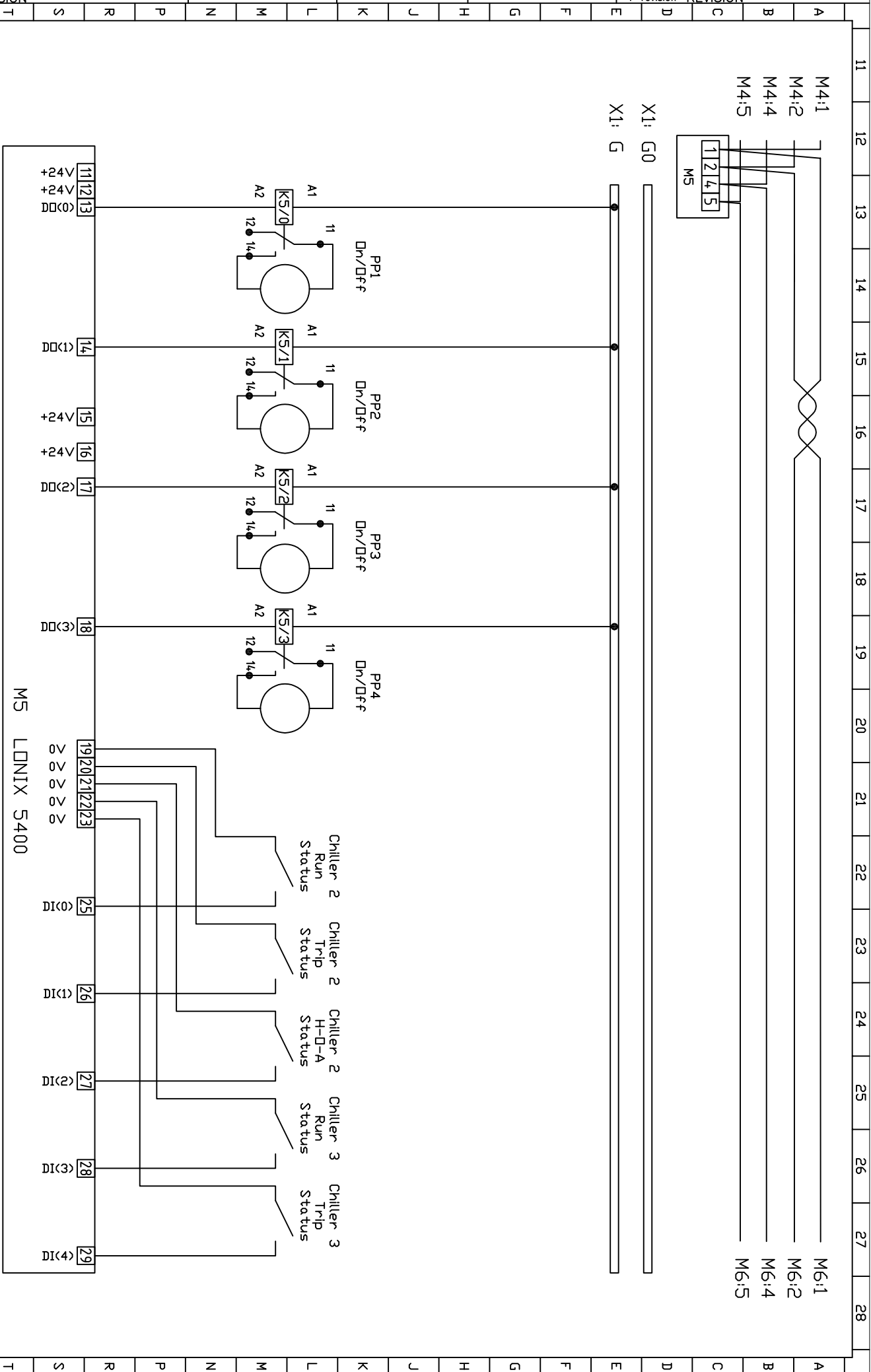
Example Applications:
Chiller System

Connections
of the Module M4

Sheet/ of	4/8
Diagram No.:	
Rev.	A
Sheet for	

D revision	REVISION
E revision	REVISION
F revision	REVISION

A revision	REVISION
B revision	REVISION
C revision	REVISION



M5 LONIX 5400



Date	13.01.10
Drawn by	EVRO
Checked by	
Approved by	

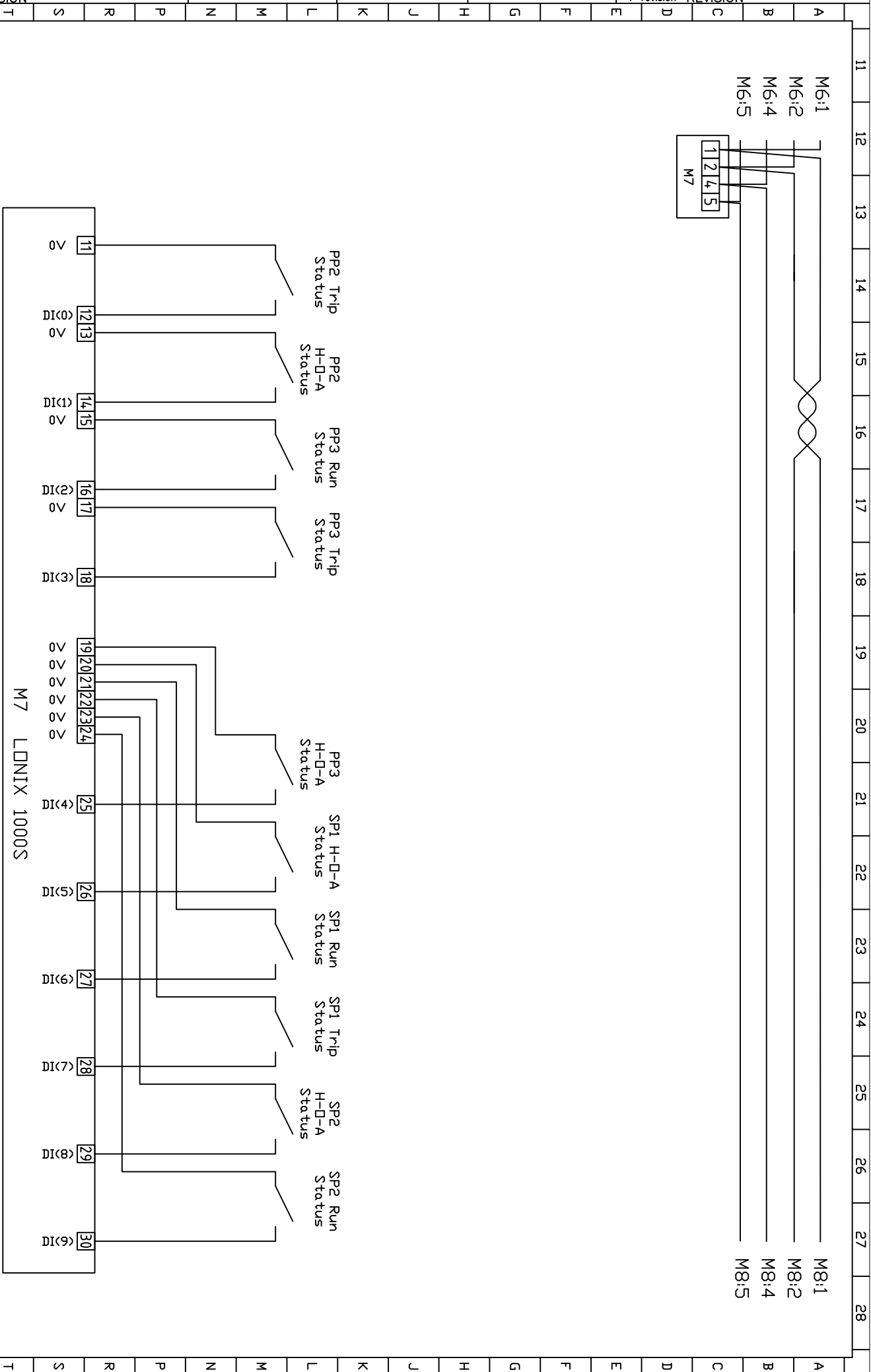
Example Applications:
Fresh Air Handling
Unit with VFD

Connections
of the Module M5

Sheet/ of	5/8	Rev.	A
Diagram No.:		Sheet of	

D revision	REVISION
E revision	REVISION
F revision	REVISION

A revision	REVISION
B revision	REVISION
C revision	REVISION



Teollisuuskatu 33,
00510 Helsinki, Finland

Date	13.01.10
Drawn by	EVRO
Checked by	
Approved by	

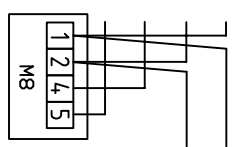
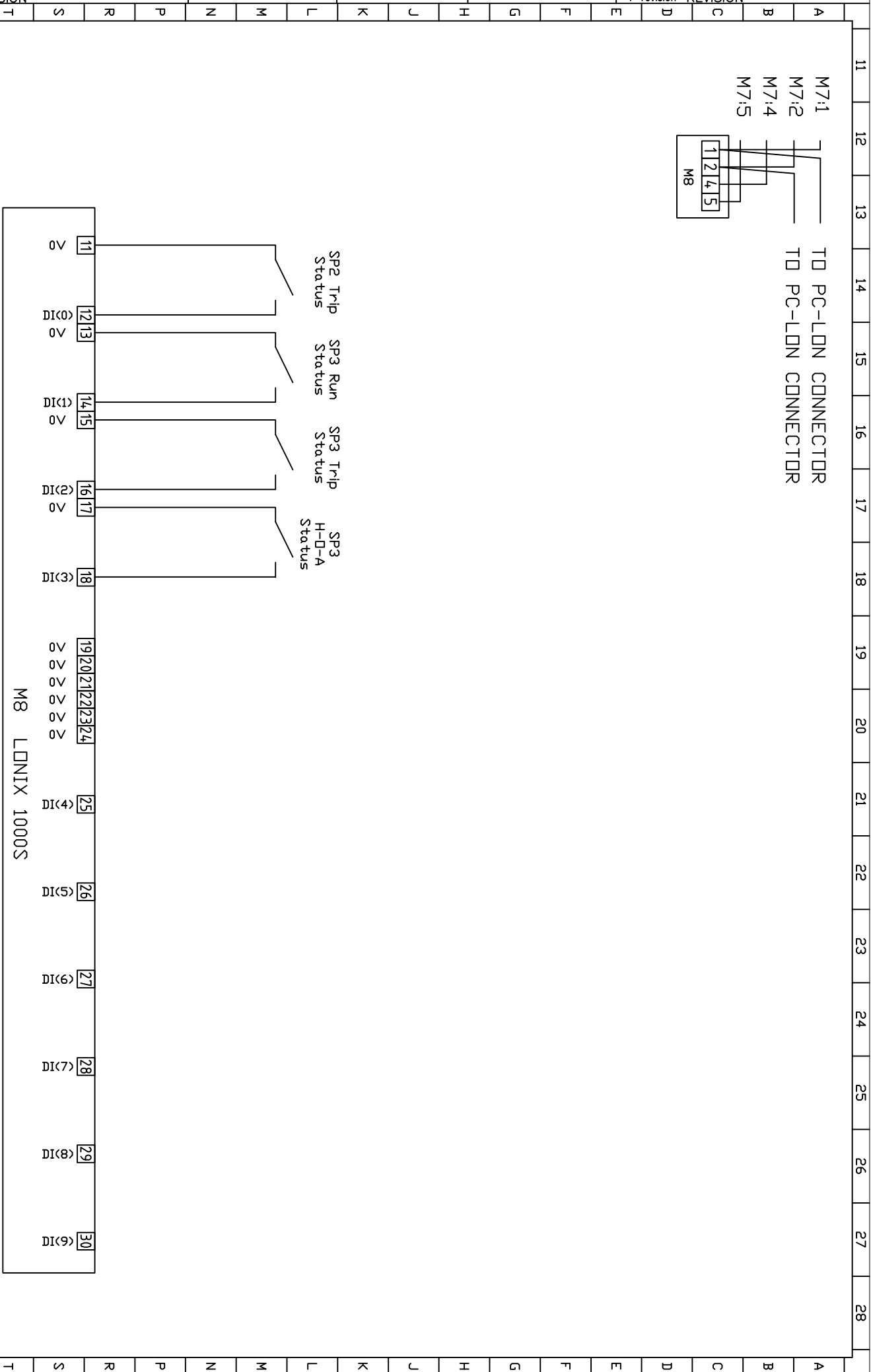
Example Applications:
Chiller System

Connections
of the Module M7

Sheet/ of	7/8	Rev.	A
Diagram No.:		Sheet for	

D revision	REVISION
E revision	REVISION
F revision	REVISION

A revision	REVISION
B revision	REVISION
C revision	REVISION



LONIX
 Teollisuuskatu 33,
 00510 Helsinki, Finland

Date	13.01.10
Drawn by	EVRO
Checked by	
Approved by	

Example Applications:
 Chiller System

Connections
 of the Module M8

Sheet/of	8/8	Rev.	A
Diagram No.:		Sheet of	