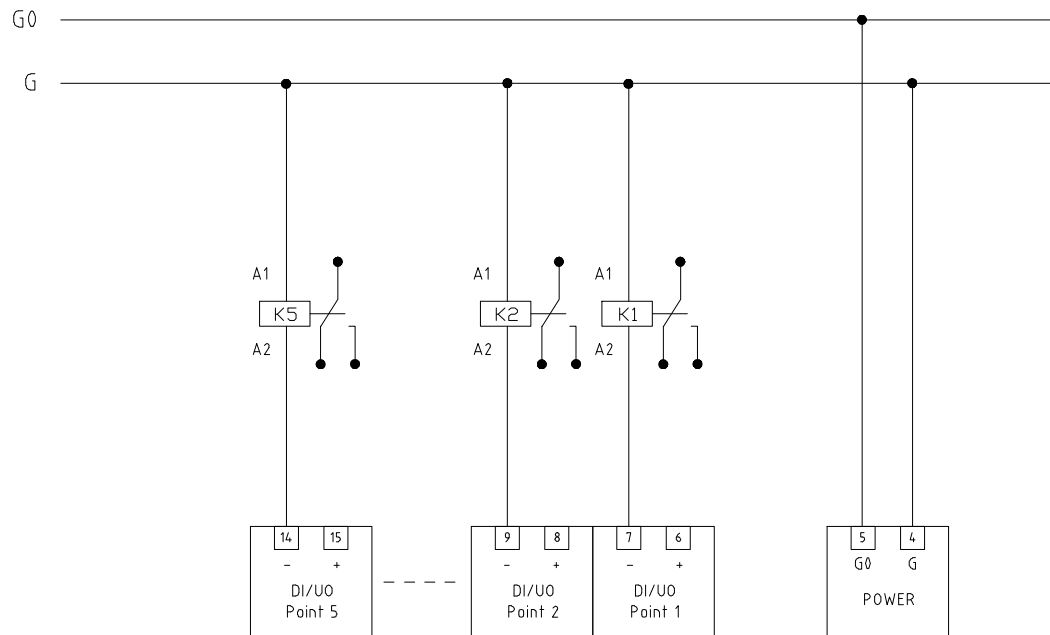


D revision REVISION  
 E revision REVISION  
 F revision REVISION

A revision REVISION  
 B revision REVISION  
 C revision REVISION

DO - Digital Output  
 "Switching Mode: Low (-)"

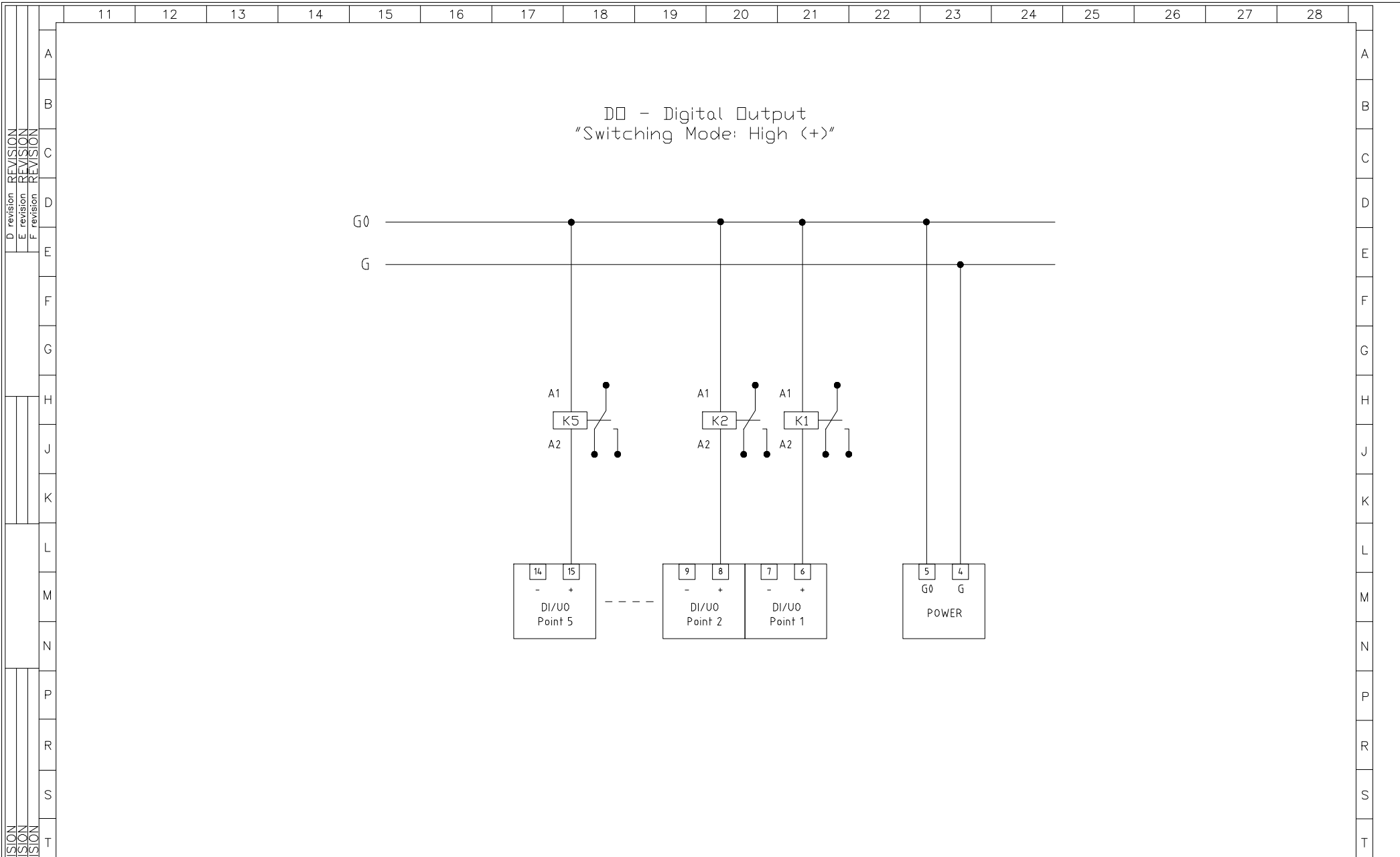


Date  
 Drawn by:  
 Checked by:  
 Approved by:

DO - Digital Output  
 M10 MultiController

Connection  
 Diagram

Rev.  
 A



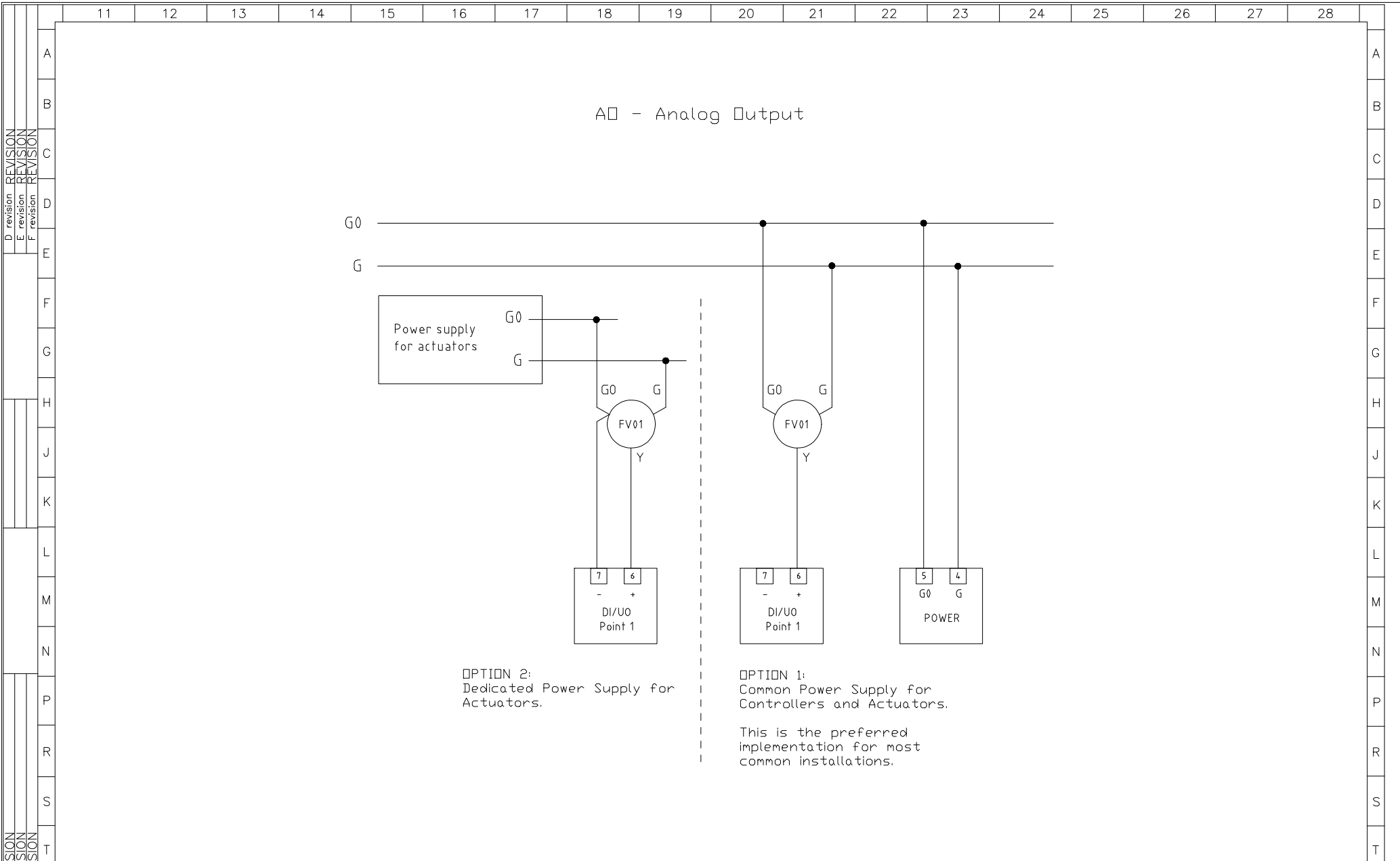
A revision REVISION B revision REVISION C revision REVISION	 Teollisuuskatu 33 00510 HELSINKI
-------------------------------------------------------------------	----------------------------------------------------------------------------------------------------------------------------

Date
Drawn by:
Checked by:
Approved by:

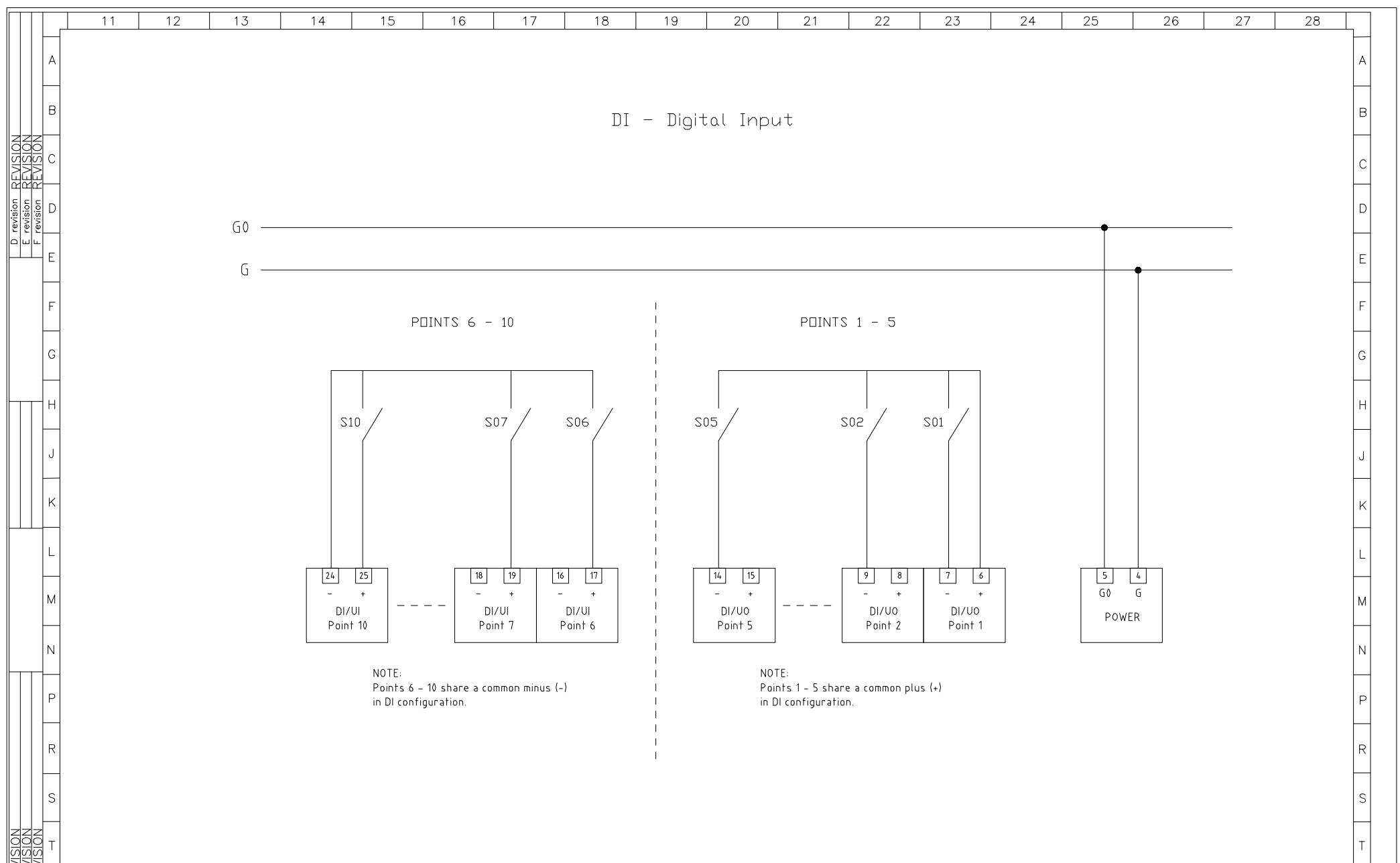
DO - Digital Output  
M10 MultiController

Connection  
Diagram

Rev. A
-----------



A revision REVISION  
 B revision REVISION  
 C revision REVISION  
 D revision REVISION  
 E revision REVISION  
 F revision REVISION



NOTE:  
Points 6 - 10 share a common minus (-)  
in DI configuration.

NOTE:  
Points 1 - 5 share a common plus (+)  
in DI configuration.

A revision REVISION  
 B revision REVISION  
 C revision REVISION  
 D revision REVISION  
 E revision REVISION  
 F revision REVISION

A  
 B  
 C  
 D  
 E  
 F  
 G  
 H  
 J  
 K  
 L  
 M  
 N  
 P  
 R  
 S  
 T

