

General

The LX-TH3-FCU-LCD-CHM-MD Thermostat is a microprocessor based PID controller with clear LCD display and very stylish looks. It is designed for controlling Fan Coil Units with floating point or modulating (0-10V) valves. It has clear display, which shows set point, temperature, mode and fan speed. The Thermostat provides RS-485 Communicating Interface and MODBUS protocol for system integration. The Thermostat can be controlled by local buttons manually or by the BMS system.

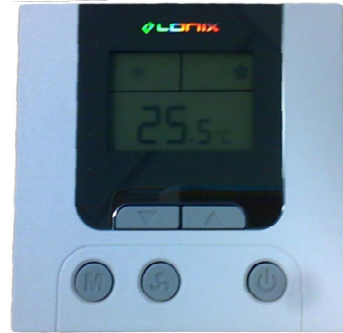
- Clear LCD display
- Temperature display
- Temperature setpoint display and selection 0 °C – 99.5 °C, ± 0,5 °C (programmable)
- Adjustable unoccupied setpoints
- Fan speed selection Lo-Med-Hi, Auto
- On/Off button
- Easy to use

Applications

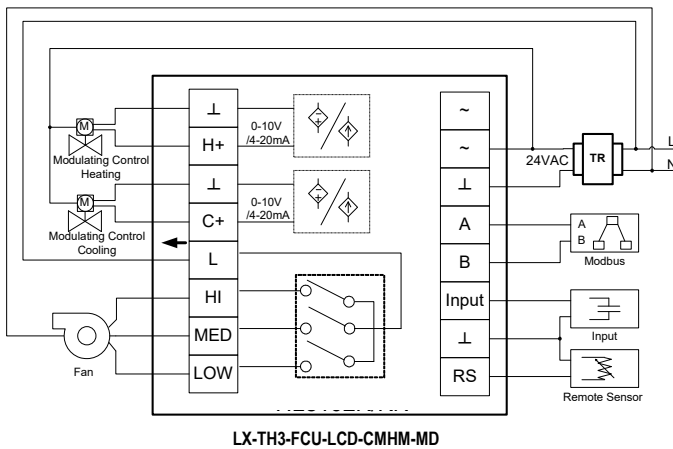
- Two-Pipe Fan Coil Units
- Four-Pipe Fan Coil Units
- Unit Air-Conditioner
- BAS System Integration

Features

- Built-in RS-485 Communicating Interface
- MODBUS protocol for system integration
- BMS system or local control function
- Enable/Disable key locking function
- Adjustable Heating, Cooling and Ventilating mode control



Connections



Order Code

- LX-TH3-FCU-LCD-CHM-MD**
(Cooling or Heating 0-10V control signal)
- LX-TH3-FCU-LCD-CHF-MD**
(Cooling or Heating control floating)
- LX-TH3-FCU-LCD-CMHH-MD**
(Cooling and Heating 0-10V)
- LX-TH3-FCU-LCD-CMHF-MD**
(Cooling 0-10V, Heating floating)
- LX-TH3-FCU-LCD-CFHH-MD**
(Cooling floating, Heating 0-10V)
- LX-TH3-FCU-LCD-CFHF-MD**
(Cooling Floating, Heating Floating)

Technical Data

Operating Voltage:	24Vac +/- 10%
Temperature Range:	0-99.5 °C adjustable
Accuracy:	+/- 0.5°C
Output:	Floating point 24 VAC * 2 (0.5 A) Modulating 0-10V
Current Load for Fan:	5 A
System Adjust:	5-buttons for Power, Mode, Fan speed, Setpoint Up and Down
Mode Setting:	Heating, Cooling or Ventilating
Fan Speed Adjust:	Low, Medium, High and automatic fans speed control
Sensing Element:	NTC
Terminals:	0.5-2 sq. mm cable
Operating Temperature:	10-45 °C
Operating Humidity:	5-90%
Storage Temperature:	-20-55 °C
Dimensions:	86x86x23 (HxWxD)
Interface:	RS-485
Protocol:	MODBUS RTU
Maximum Length:	1200 meters
Low Voltage Directive:	73/23/EEC and 93/68/EEC
Product Standards:	EN 60730