

General

The LX-TH3-VAV-LCD-CHM-Modbus Thermostat is a micro-processor based PID controller with clear LCD display and very stylish looks. It is designed for controlling VAV dampers with modulating (0-10V) control signal. It has clear display, which shows set point, temperature and mode. The Thermostats provides RS-485 Communicating Interface and MODBUS protocol for system integration. The Thermostat can be controlled by local buttons manually or by the BMS system. The Thermostats are available with optional IR remote control option.

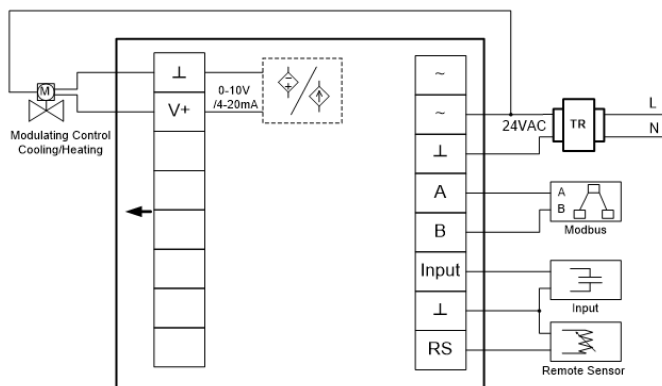
Applications

- Variable Air Volume damper
- BAS System Integration

Features

- Built-in RS-485 Communicating Interface
- MODBUS protocol for system integration
- BMS system or local control function
- Enable/Disable key locking function
- Adjustable Heating, Cooling and Ventilating mode control

Connections



- Clear LCD display
- Temperature display $\pm 0,1\text{ }^{\circ}\text{C}$
- Temperature setpoint display and selection $0\text{ }^{\circ}\text{C} - 99.5\text{ }^{\circ}\text{C}, \pm 0,5\text{ }^{\circ}\text{C}$ (programmable)
- Adjustable Cooling and Heating modes
- Adjustable unoccupied setpoints
- On/Off button
- Easy to use
- 1 Digital Input
- RS485 Modbus communication (optional)
- Compatible with COBA BOS



Order Code

LX-TH3-VAV-LCD-CHM-MD

(Cooling or Heating, 0-10V, Modbus)

LX-TH3-VAV-LCD-CHM

(Cooling or Heating 0-10V)

LX-TH3-VAV-LCD-CHM-MD-IR

(Cooling or Heating, 0-10V, Modbus, IR remote)

LX-TH3-VAV-LCD-CHM-IR

(Cooling or Heating, 0-10V, IR remote)

Technical Data

Operating Voltage:	24Vac +/- 10%, 50/60Hz
Temperature Range:	0-99.5 °C adjustable
Accuracy:	+/- 0.5°C
Output:	Modulating 0-10V
System Adjust:	5-buttons for Power, Mode, Setpoint Up and Down
Mode Setting:	Heating, Cooling or Ventilating
Sensing Element:	NTC
Input Signal:	Dry Contact (NO)
Rated Power:	< 1W
Terminals:	0.5-2 sq. mm cable
Operating Temperature:	10-45 °C
Operating Humidity:	5-90%
Storage Temperature:	-20-55 °C
Dimensions:	86x86x23 (HxWxD)
Interface:	RS-485 (optional)
Protocol:	MODBUS RTU (optional)
Maximum Length:	1200 meters
Low Voltage Directive:	73/23/EEC and 93/68/EEC
Product Standards:	EN 60730